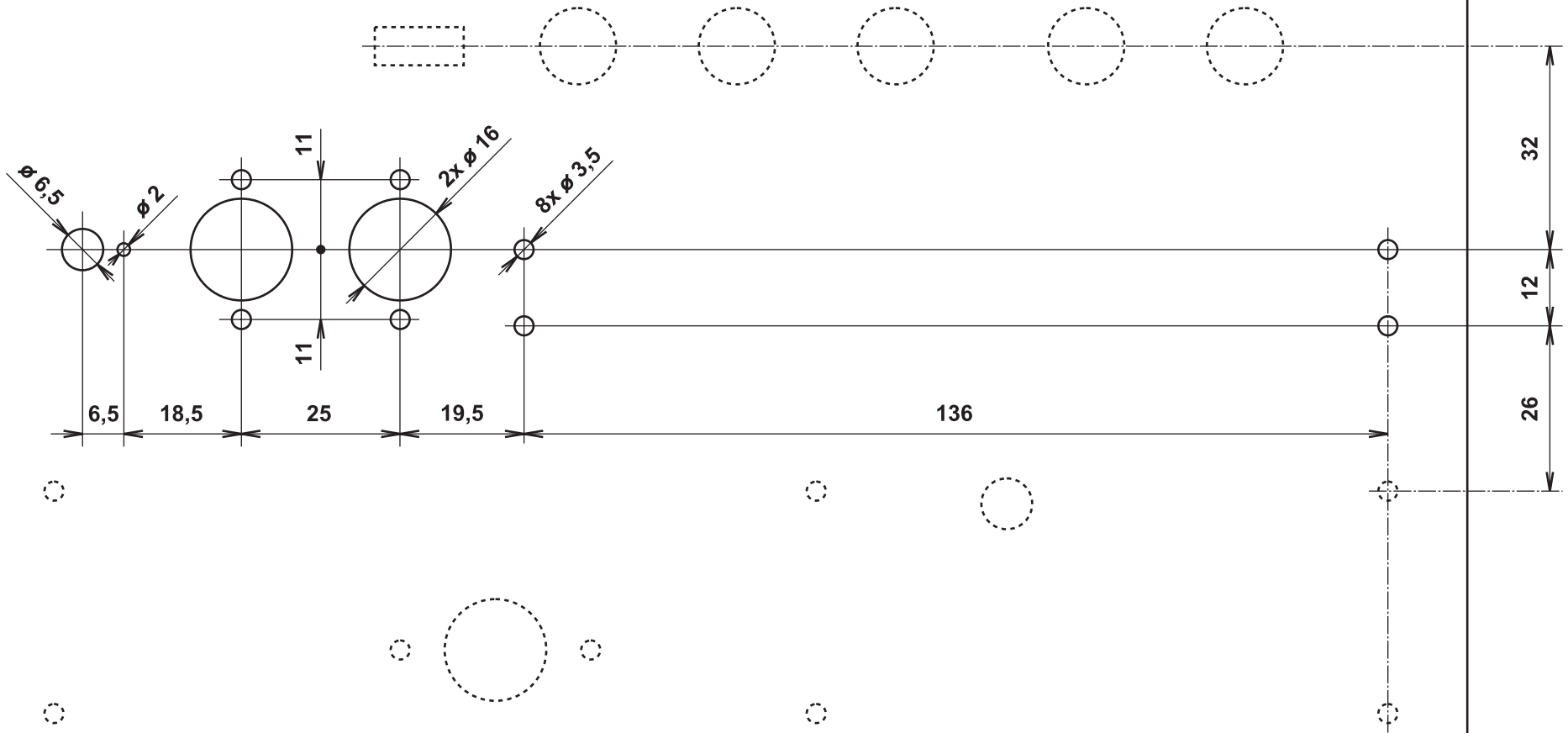


Drill template for rear panel of CR-68 instrument (dimensions 235 x 155 mm)

○ = original holes

○ = new holes



Drill template for rear panel of CR-78 instrument (dimensions 275 x 175 mm)

○ = original holes

○ = new holes

